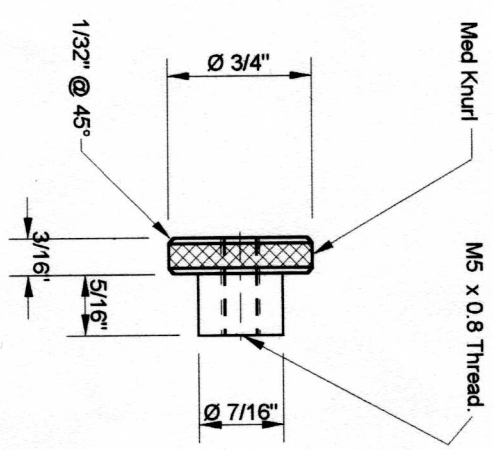


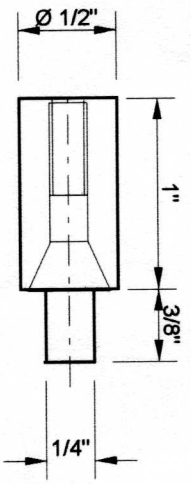
2 Horizontal/Pivot Bar

Material:- BMS Bar. 1 off Reqd



4 Horizontal/Pivot Bar Thumb Screw

Material:- Brass 1 off Reqd



Pre-Machine Steel pivot with a 1/4" Dia stub to a drive fit into Horizontal/Pivot Bar & finish machine after Fitting to Item 2

3 Horizontal/Pivot Bar

Material:- BMS Bar. 1 off Reqd

Member of The Society of Ornamental Turners.

Title		Drawing No		Sheet No		Issue	
Goneostat Details		018/2		2		A	
Third Angle Projection		File GONEZ.dwg		Drawn M Fallows		Date 23/01/02	
Scale 1:1							