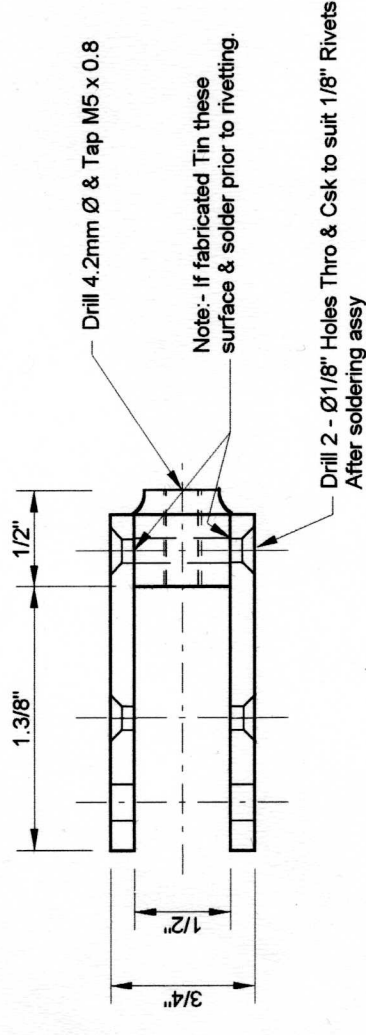
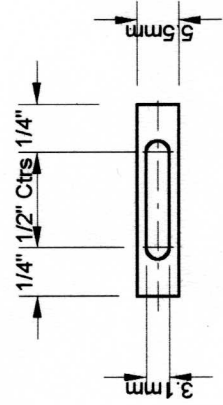


⑤ Tool Clamp/Pivot
 (Fabricate as shown or Machine in one piece)
 Material:- Mild Steel or Brass 1 off Reqd

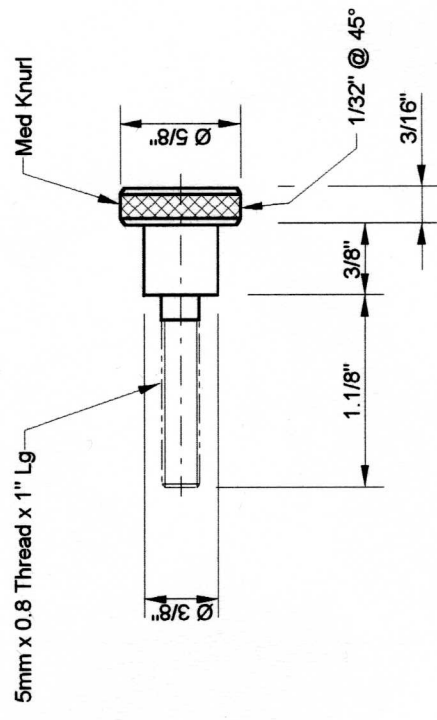


⑥ Adjusting Slide
 Material:- 1/8" Thick BMS 1 off Reqd

⑦ Tool Stop Plate
 Material:- BMS 3.2mm Thick 1 off Reqd



⑧ Tool Clamp/Pivot Thumb Screw
 Material:- Brass 1 off Reqd



Member of The Society of Ornamental Turners.

Title
Goneostat Details

Drawing No	Imp	Issue
018/3		A
Third Angle Projection		Sheet No
Scale 1:1	File GONEW3.dwg	3
		Drawn M Fallows
		Date 23/01/02